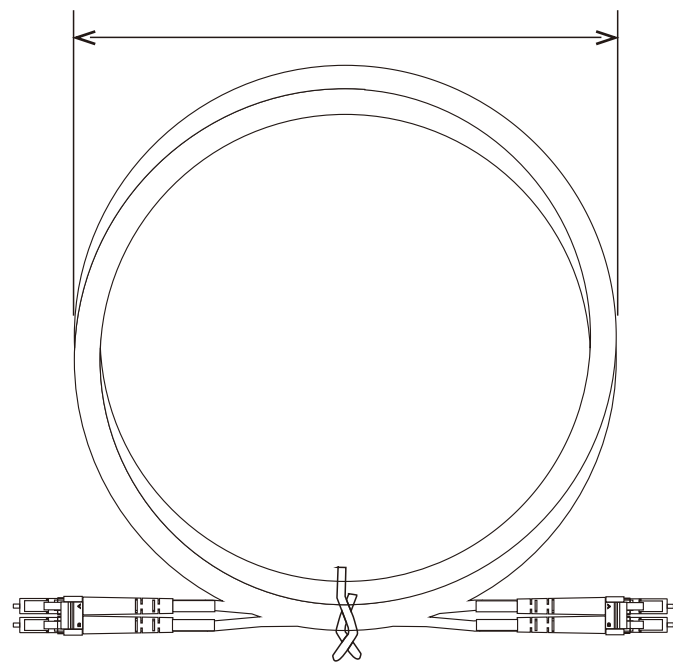


Specifications

Fiber Mode				MM
Type	LC/UPC-LC/UPC			
Diameter(mm)	Φ 3.0mm 62.5/125 OM1 (orange)			
Insertion Loss(dB)	UPC	≤0.3	UPC	≤0.3
Return Loss(dB)		≥35		≥35
Housing Color	PLUG	Beige		
Boot Color	BOOT	White		
Operating Temperature(°C)	-20~+75			
Storage Temperature(°C)	-20~+85			
Operating Wavelength(nm)				850



		DRAWN YAN ZHENG	
		DESIGN SHENG HUA ZHANG	
MATL		CHECKED	
FINISH		JIN BO FAN	
		APPROVED	
SHEET		FENG JUN SUN	
UNIT MM		DATE	
Φ		02/27/20	
		SIZE A4	
		REV A	

TITLE
PATCHCORD,LC/UPC-LC/UPC
DX,62.5/125 OM1,LSZH Φ 3.0